



**CONQUER**  
功得電子

# 規格書

## Specification For Approval

Spec NO.

**型號：** K8F/K8F-A 系列  
快速圓管型熔斷器

**Model：** K8F/K8F-A Series  
HIGH-SPEED ROUND BODY FUSES

---

### Conquer Electronics Co., Ltd.

#### 五股廠

24888 台灣新北市五股區五權五路26 號(新北產業園區)  
No.26, Wucyuan 5th Rd., Wugu Dist.,  
New Taipei City 24888, Taiwan

T +886-2-8990-2189(代表號)  
F +886-2-8990-2577  
E cqservice@conquer.com.tw  
W www.conquer.com.tw

#### 北投廠

11259 台灣台北市北投區立德路120巷15 號  
No. 15, Lane 120, Lite Road, Peitou,  
11259, Taipei, Taiwan

T +886-2-2895-8895(代表號)  
F +886-2-2895-8880  
E cqservice@conquer.com.tw  
W www.conquer.com.tw



### History of Change

REV.	Description	Date	Drawn	Checked	Approved
0.1	(1)Issue	2019.02.21	董盈冰	邱信雄	蕭順益

Preliminary

Conquer Electronics Co., LTD.

No.26, Wucyuan 5th Rd., Wugu Dist.,(New Taipei Industrial Park) New Taipei City 24888, Taiwan TEL:+886-2-8990-2189 (代表號) FAX:+886-2-8990-2577

Peitou Factory : No. 15, Lane 120, Lite Road, Peitou, 11248, Taipei, Taiwan. TEL: +886-2-2895-8895 (代表號) FAX:+886-2-2895-8880

E-mail: conqfuse@ms62.hinet.net Official Website: <http://www.conquer.com.tw>

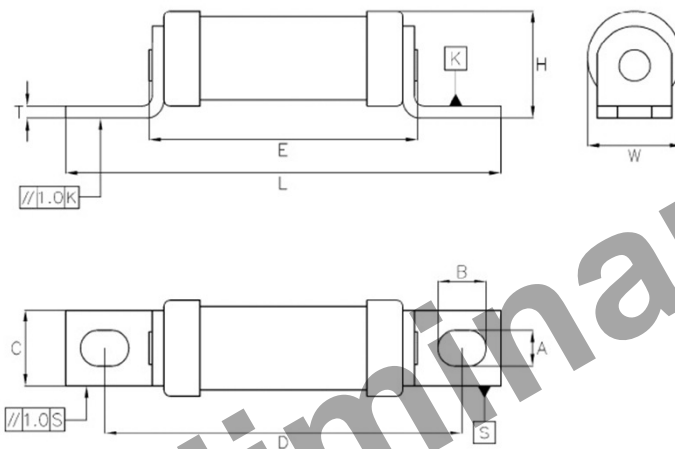
1 適用範圍

- 1.1 新能源充電樁 EV Charging Stations
- 1.2 新能源電動車 EV Car Appliances  
**【OBC, PDU, CDU】**
- 1.3 功率變換系統, 電源供應器  
**【Power Converters, Power Supply】**
- 1.4 不斷電系統 UPS

2 形狀及尺寸如下圖 單位: mm

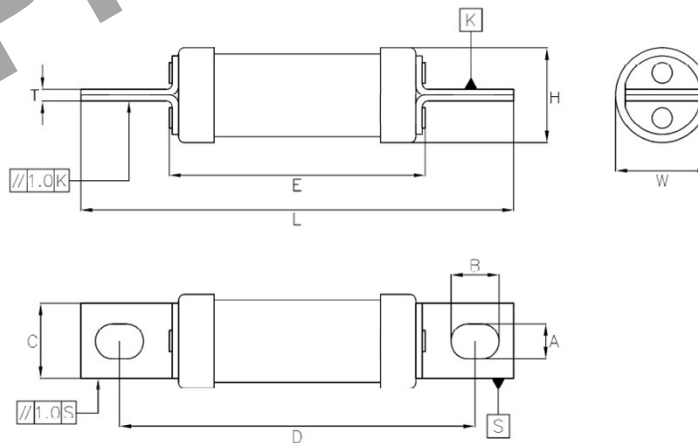
Shape & Size as following illustrations.

K8F系列



K8F Series	A	B	C	D	E	H	L	T	W
50A - 150A	8.8±1.0	12.4±1.0	19.1±1.0	91.6±3.6	69.0±2.5	27.1±2.0	111.6±2.0	3.0±0.2	24.1±2.0
175A - 400A	10.5±1.0	15.1±1.0	26.0±1.0	95.0±4.5	69.2±2.5	38.2±2.0	117.6±2.0	3.2±0.2	35.2±2.0

K8F-A系列



K8F-A Series	A	B	C	D	E	H	L	T	W
50A - 150A	8.8±1.0	12.4±1.0	19.1±1.0	91.6±3.6	69.0±2.5	24.1±2.0	111.6±2.0	3.0±0.2	24.1±2.0
175A - 400A	10.5±1.0	15.1±1.0	26.0±1.0	95.0±4.5	69.2±2.5	35.2±2.0	117.6±2.0	6.0±0.2	35.2±2.0

Conquer Electronics Co., LTD.

No.26, Wucyuan 5th Rd., Wugu Dist., (New Taipei Industrial Park) New Taipei City 24888, Taiwan TEL:+886-2-8990-2189 (代表號) FAX:+886-2-8990-2577

Peitou Factory : No. 15, Lane 120, Lite Road, Peitou, 11248, Taipei, Taiwan. TEL: +886-2-2895-8895 (代表號) FAX:+886-2-2895-8880

E-mail: conqfuse@ms62.hinet.net Official Website: <http://www.conquer.com.tw>

3 **電氣特性** Electrical Characteristics :

3.1 負載容量: 通過額定電流值 100 % (亦即 1.0 x In A) 4小時以上，能繼續通電無任何熔化現象。

Loading Capacity : Through the 100 % rating current (1.0 x In A) loading, and keep current continuously without any melting. (Can keep 4 hours minimum)

3.2 使用環境溫度: -55°C 到 120°C 。

Operating Temperature: -55°C to 120°C.

3.3 規格 Specifications

TYPE	Rated Current	I <sup>2</sup> T(A <sup>2</sup> T)	Watt Loss at 100% Rated Current
K8F 50A	50A	600	12
K8F 100A	100A	3500	27
K8F 150A	150A	11800	33
K8F 200A	200A	22500	42
K8F 250A	250A	42000	46
K8F 300A	300A	71500	56
K8F 350A	350A	95800	64
K8F 400A	400A	125500	77

4 **遮斷能力** Interrupting rating :

50A~400A : 50KA at 800V AC

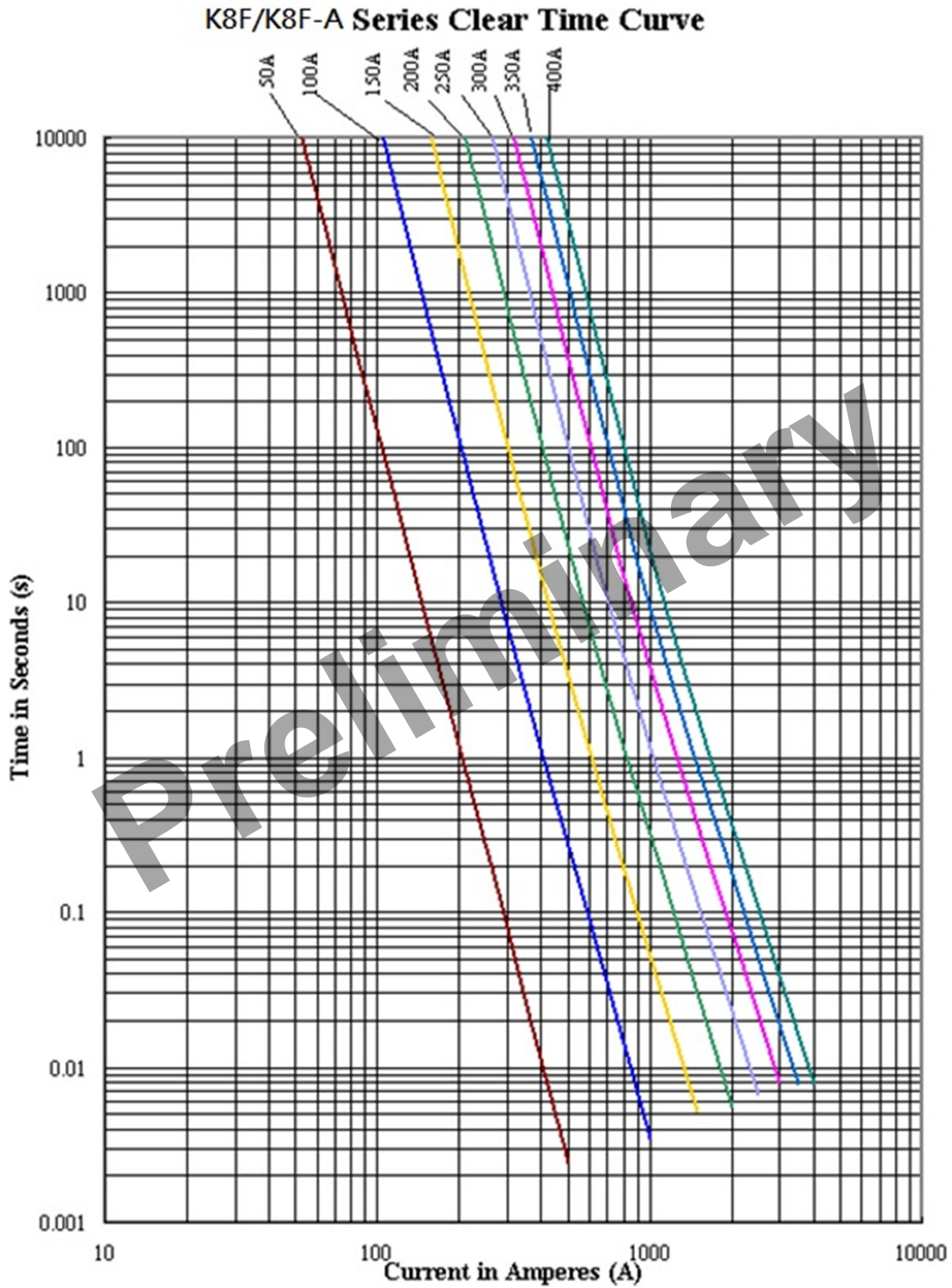
20KA at 800V DC

5 **其他** Other :

除非另有指定，上述機械、電器特性，係於常溫，標準狀況下測試之。

Unless otherwise, specified, all tests to be performed at 25±5°C and 35-75% RH.

6 IT曲線圖 Clear Time Curve(I vs t curve)



Conquer Electronics Co., LTD.

No.26, Wucyuan 5th Rd., Wugu Dist.,(New Taipei Industrial Park) New Taipei City 24888, Taiwan TEL:+886-2-8990-2189 (代表號) FAX:+886-2-8990-2577

Peitou Factory : No. 15, Lane 120, Lite Road, Peitou, 11248, Taipei, Taiwan. TEL: +886-2-2895-8895 (代表號) FAX:+886-2-2895-8880

E-mail: conqfuse@ms62.hinet.net Official Website: <http://www.conquer.com.tw>